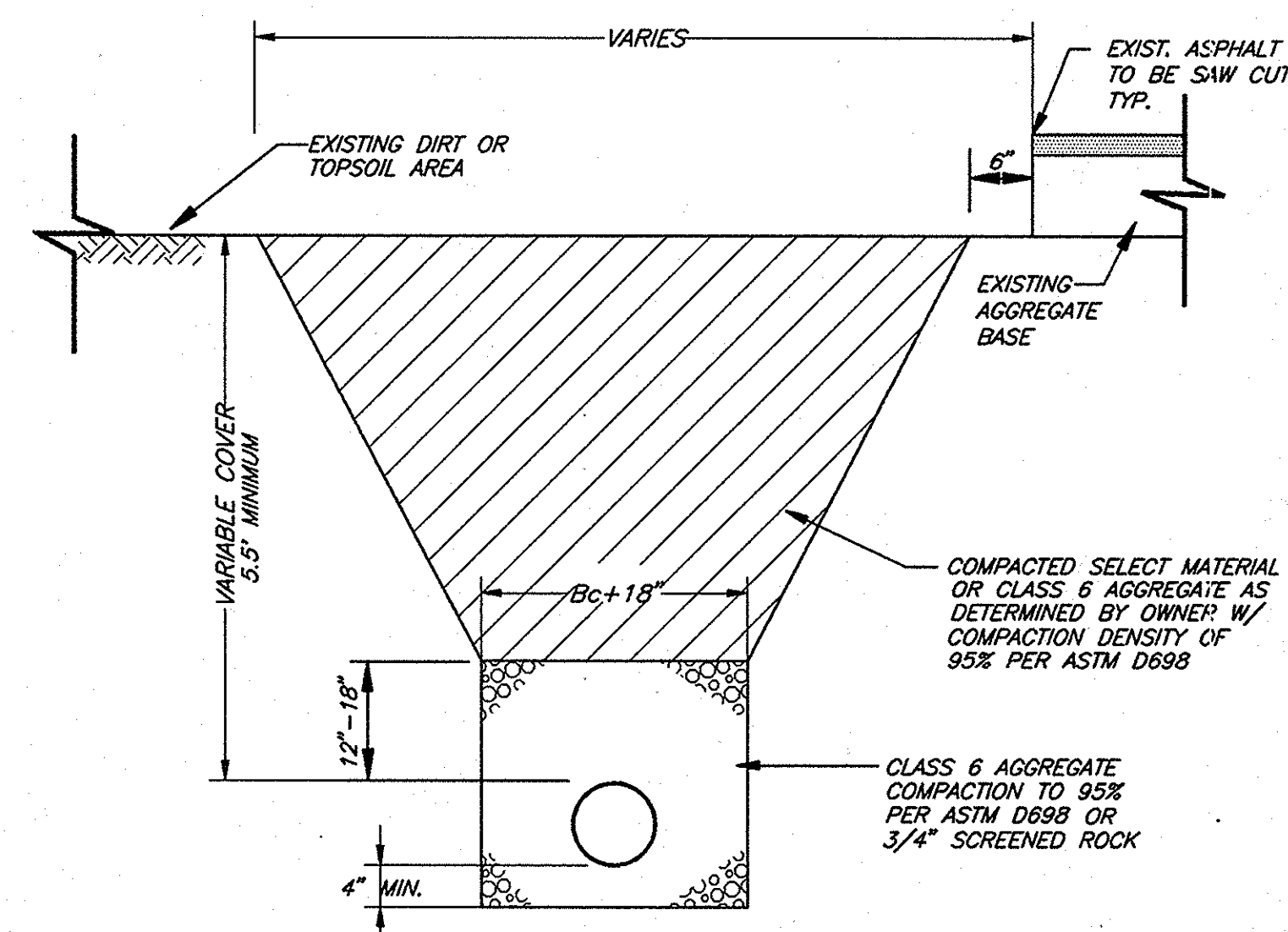
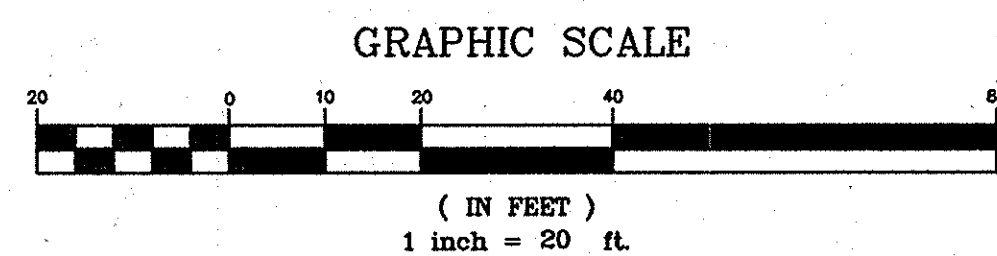


GENERAL NOTES:

1. BACKFILL SHALL BE COMPACTED TO 95% STANDARD PROCTOR. BACKFILL WITHIN 12" OF WET WELL SHALL BE CLASS 6 A.B.C.
2. PAVEMENT ON 27th STREET AND/OR RACQUET CLUB ENTRANCE SHALL BE REPLACED WITH 3" OF HOT BITUMINOUS PAVEMENT AND 12" OF CLASS 6 A.B.C. CONTRACTOR SHALL OBTAIN ALL NECESSARY PERMITS.
3. FIELD VERIFY MANHOLE AND WET WELL INVERTS PRIOR TO CONSTRUCTION.
4. PRIOR TO PUMP INSTALLATION, JET MAIN SEWER LINES TO WET WELL AND PUMP WET WELL WITH TRASH PUMP.
5. MAXIMUM BEND IN 3" PRESSURE LINE IS 45°.
6. VERIFY CONFIGURATION OF EXISTING WET WELL PRIOR TO CONSTRUCTION FOR INSTALLATION OF PUMP, ETC.
7. WET WELL DETAIL IS SCHEMATIC IN REGARDS TO PUMP, ETC. FOLLOW MANUFACTURER'S INSTRUCTIONS FOR INSTALLATION OF PUMP SYSTEM.
8. SYSTEM SHALL PUMP 35 GPM AT 35' TDH.



- 1) PAVEMENT REPLACEMENT SHALL MEET EXISTING THICKNESS AND KIND WITH THE FOLLOWING MINIMUMS: ASPHALT SURFACING = 3" MIN., AGGREGATE BASE COURSE = 12" MIN.
- 2) BASE COURSE REPLACEMENT SHALL MEET EXISTING THICKNESS WITH THE FOLLOWING MINIMUMS: AGGREGATE BASE COURSE = 12" MIN.
- 3) DIRT / TOPSOIL PLACEMENT SHALL MEET EXISTING THICKNESS AND KIND WITH THE FOLLOWING MINIMUMS: 4" TOPSOIL.
- 4) SELECT MATERIAL AS FOLLOWS: 6" MAXIMUM SIZE IN TOP 12" OF BACKFILL
12" MAXIMUM SIZE IN REMAINDER OF BACKFILL

TRENCH CROSS SECTION

SCALE: 3/4" = 1'-0"



ENGINEERS
SURVEYORS

SCHMUESER GORDON MEYER INC.
1001 GRAND AVENUE, SUITE 2-E
GLENWOOD SPRINGS, COLORADO 81601
(303) 945-1004 (FAX) 945-5948
ASPEN, COLORADO (303) 925-6727

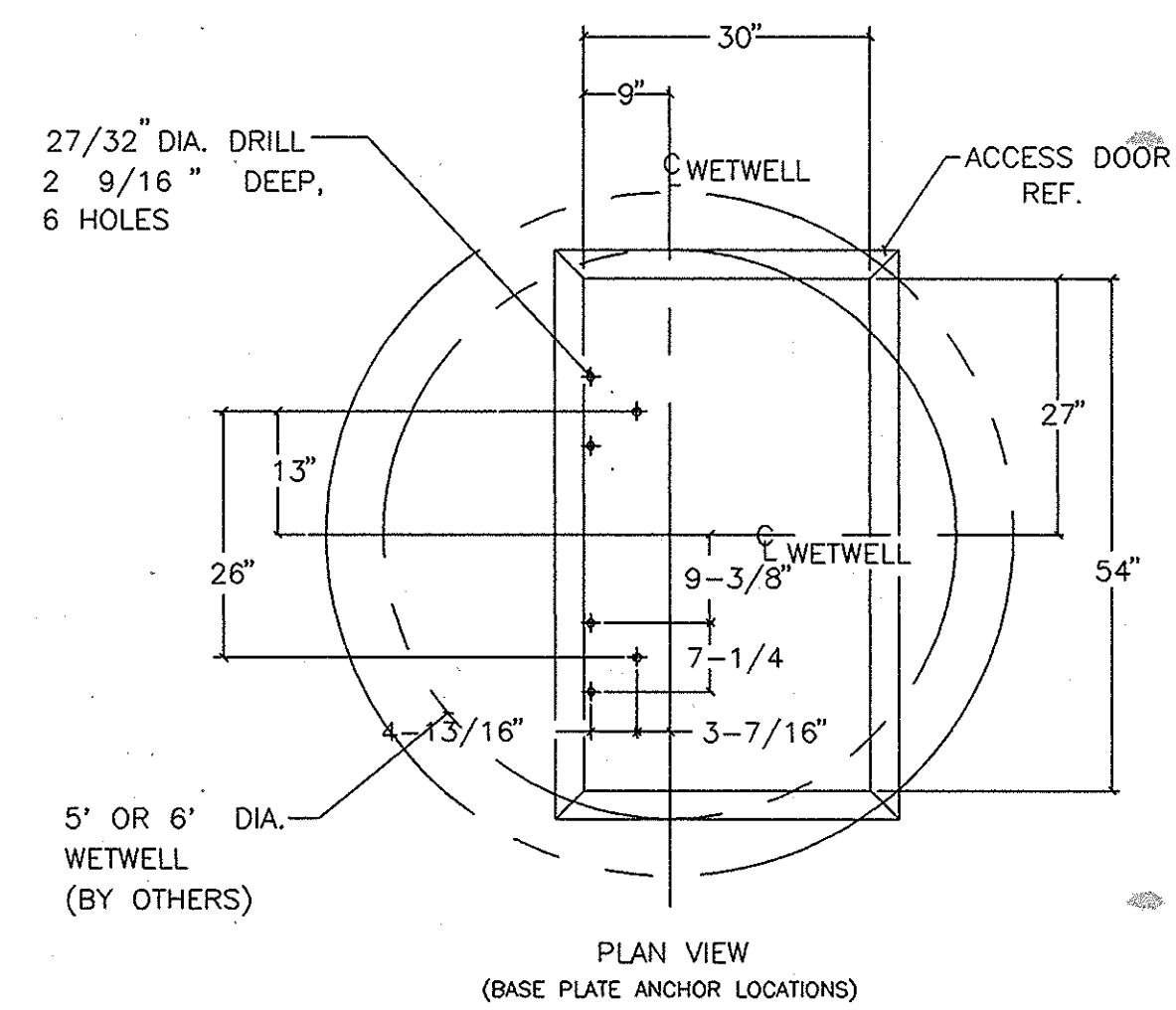
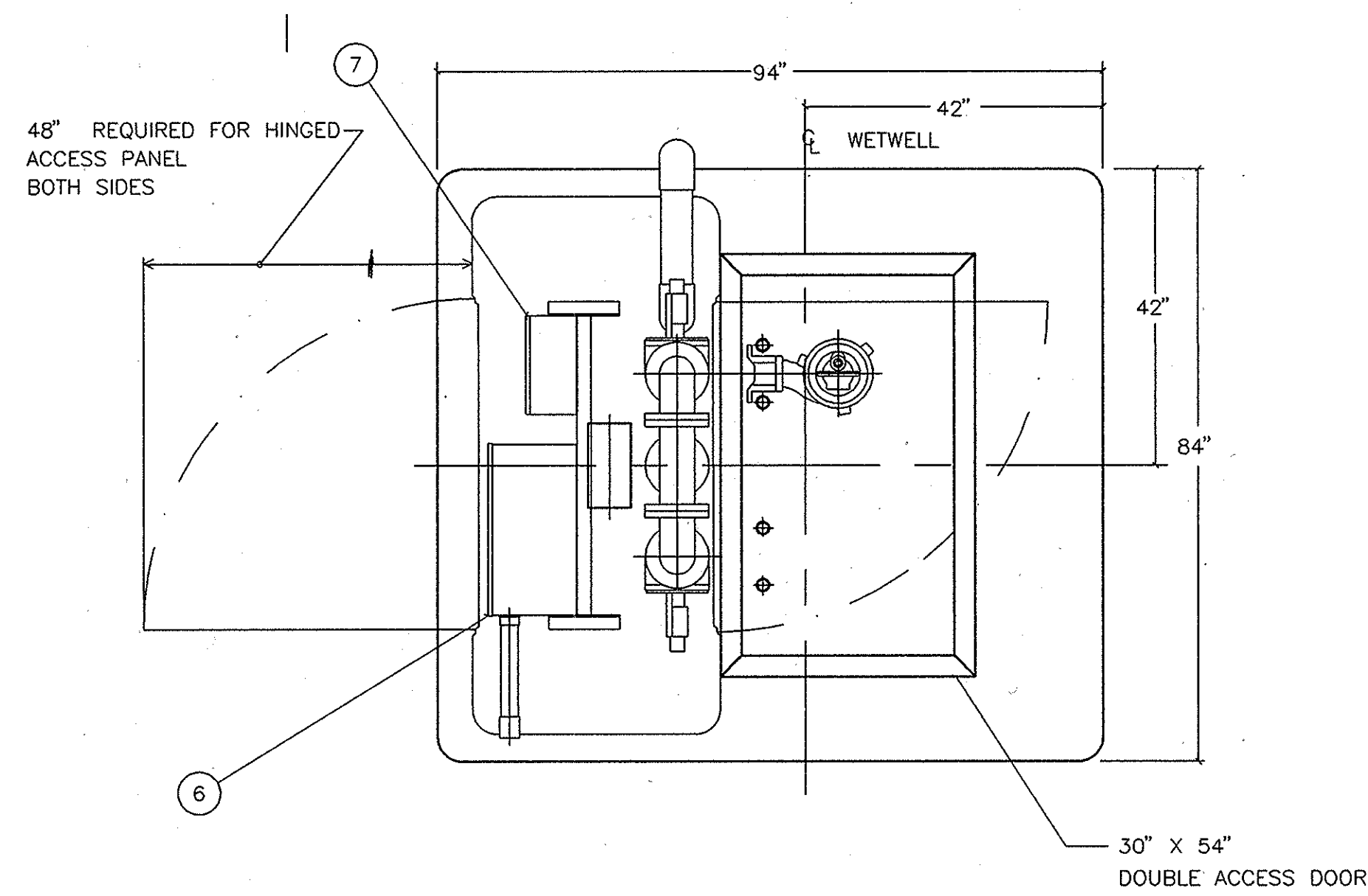
COTTONWOOD LANDING

NUM- BER	REVISION	DATE	BY

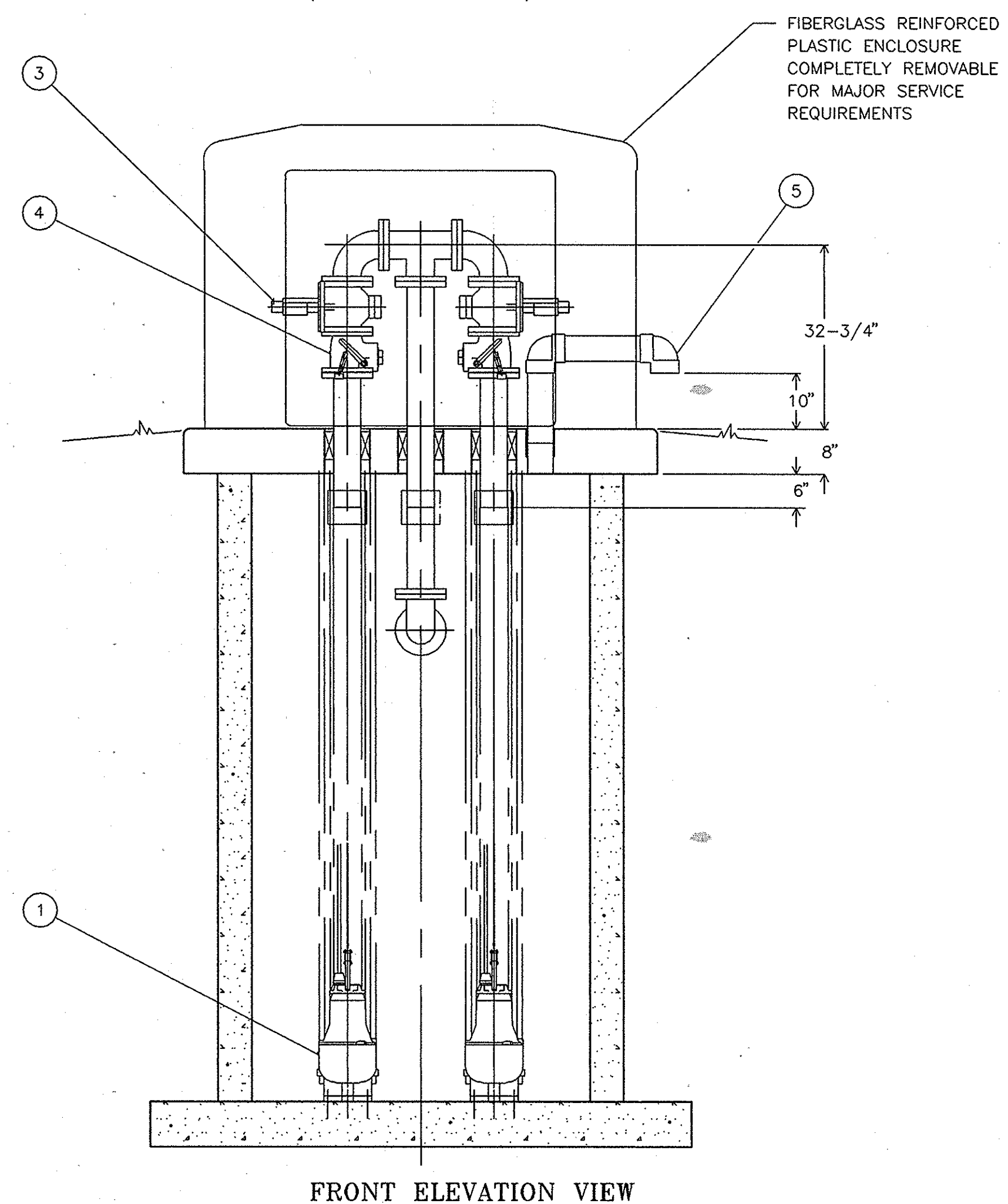
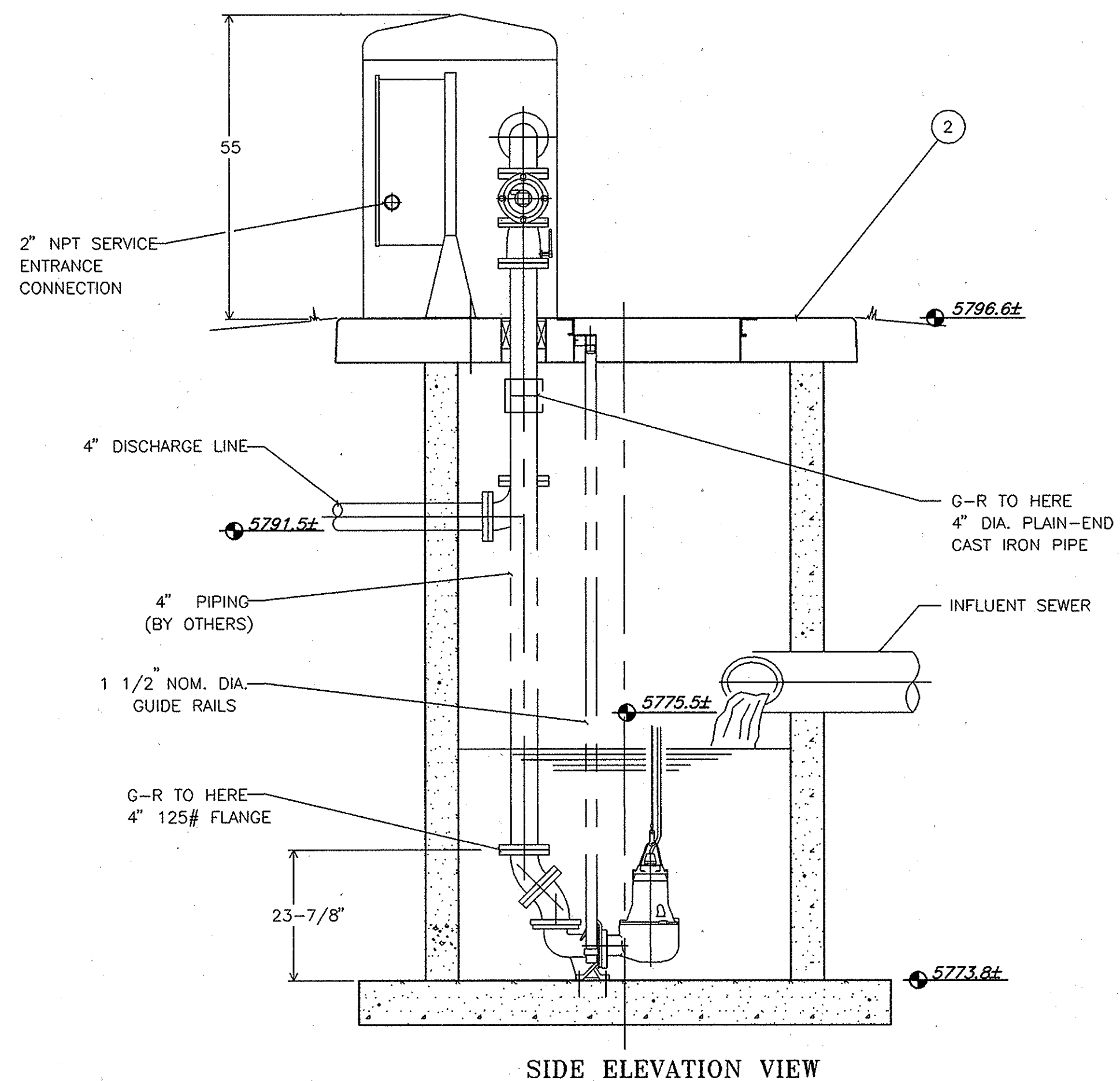
**SITE
PLAN**

Job No. 92117
Drawn by: DJC
Date: 9/20/93
Appr. by: LOM
File: CWLAND

1
OF 2



ITEM	DESCRIPTION	MAT'L & SIZE
1	PUMP	CAST IRON
2	BASE	CAST CONCRETE
3	PLUG VALVE	CAST IRON 4"
4	CHECK VALVE	CAST IRON 4"
5	WETWELL VENT	PVC 4"
6	CONTROL PANEL	STEEL
7	ACCESSORY PANEL	STEEL



SCHMUESER GORDON MEYER INC.
 1001 GRAND AVENUE, SUITE 2-E
 GLENWOOD SPRINGS, COLORADO 81601
 (303) 945-1004 (FAX) 945-5948
 ASPEN, COLORADO (303) 925-6727

COTTONWOOD LANDING

NUM-REV	REVISION	DATE	BY

**LIFT STATION
 DETAILS**

Job No. 92117
 Drawn by: DJC
 Date: 9/20/93
 Appr. by: LOM
 File: CWLAND