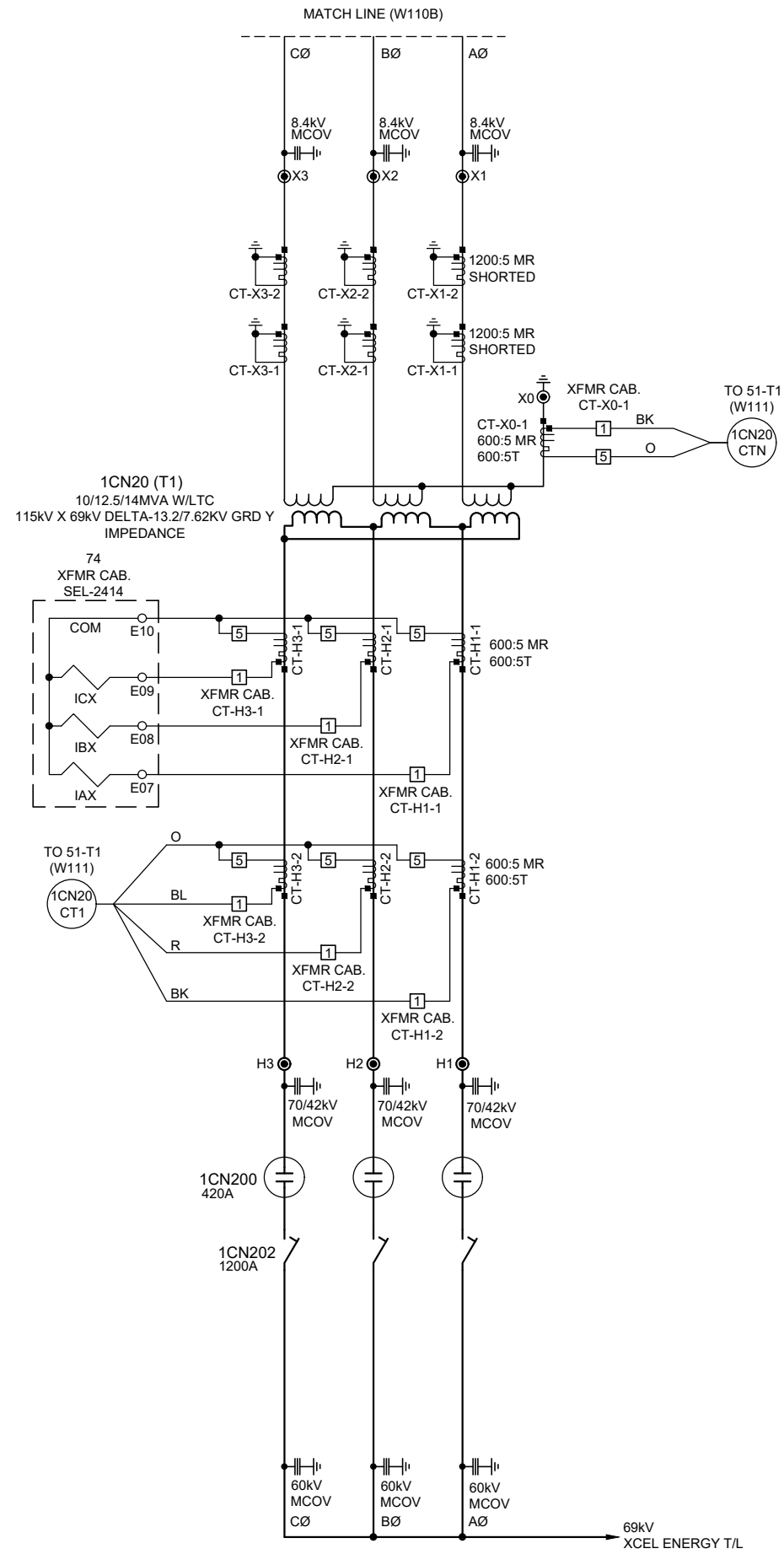


\\ESC-DC2\PROJECTS\407\54 191821-CITY OF GLENWOOD SPRINGS-GLENWOOD SPRINGS ELECTRICT CARDNELL SUBSTATION\DRAWINGS\CN-W110.DWG Cady Terkhem 22 April 2020 8:38:12 AM



SEE LEGEND
DRAWING W100

**RELEASE
FOR BID**
Not For Construction
22-Apr-20

CITY OF GLENWOOD SPRINGS, COLORADO
GLENWOOD SPRINGS, COLORADO
CARDNELL SUBSTATION
THREE-LINE DIAGRAM

No	Date	Drawn	Designed	Checked	Revisions
0	10/31/19	APG	JMB	DKD	ORIGINAL ISSUE
1					
2					
3					
4					
5					
6					
7					

APPROVED BY:
JMB



NONE



FORT COLLINS COLORADO
(970) 224-9100 ESC@THINKESC.COM

CN-W110C