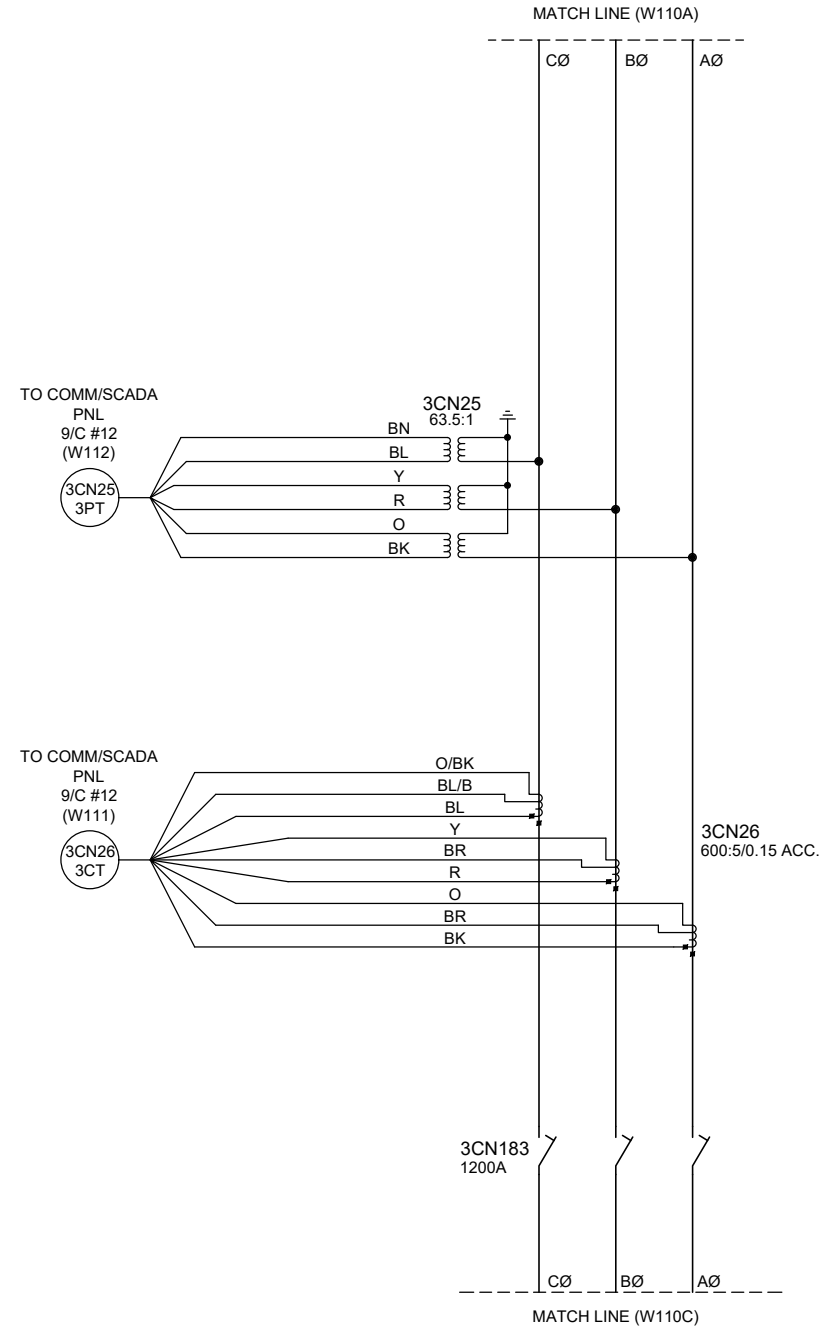


\\ESC-DC2\PROJECTS\407\54 191821-CITY OF GLENWOOD SPRINGS-GLENWOOD SPRINGS ELECTRICT CARDNELL SUBSTATIONDRAWINGS\CN-W110.DWG Cody Terkhem 22 April 2020 8:37:38 AM



SEE LEGEND
DRAWING W100

RELEASE
FOR BID
Not For Construction
22-Apr-20

CITY OF GLENWOOD SPRINGS
GLENWOOD SPRINGS, COLORADO
CARDNELL SUBSTATION
THREE-LINE DIAGRAM

No	Date	Drawn	Designed	Checked	Revisions	Proj. No.
0	10/31/19	APG	JMB	DKD	ORIGINAL ISSUE	419-821
1						
2						
3						
4						
5						
6						
7						

APPROVED BY:

JMB



NONE



FORT COLLINS COLORADO
(970) 224-9100 ESC@THINKESC.COM

CN-W110B