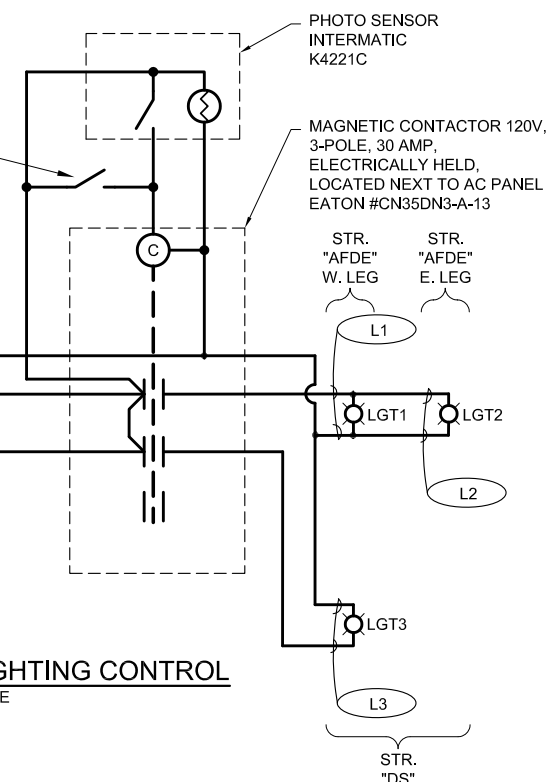
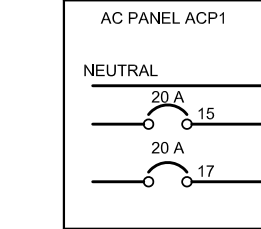


\ESC-DC2\PROJECTS\400\5419\921-CITY OF GLENWOOD SPRINGS-GLENWOOD SPRINGS ELECTRICT CARDNELL SUBSTATION\DRAWINGS\CN-E410.DWG CODY TERKHOFF 17 JULY 2020 4:07:17 PM

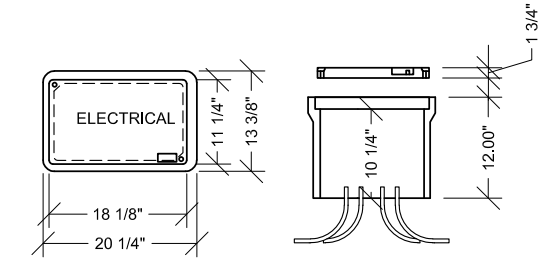
**YARD LIGHTING**

PROVIDE HUBBELL LED FLOOD LIGHT. REFER TO E20 & E21 ON DWG. E600B FOR PART NUMBER.

PROVIDE TIE HANDLE ON BREAKERS WITH COMMON NEUTRAL CONNECTION

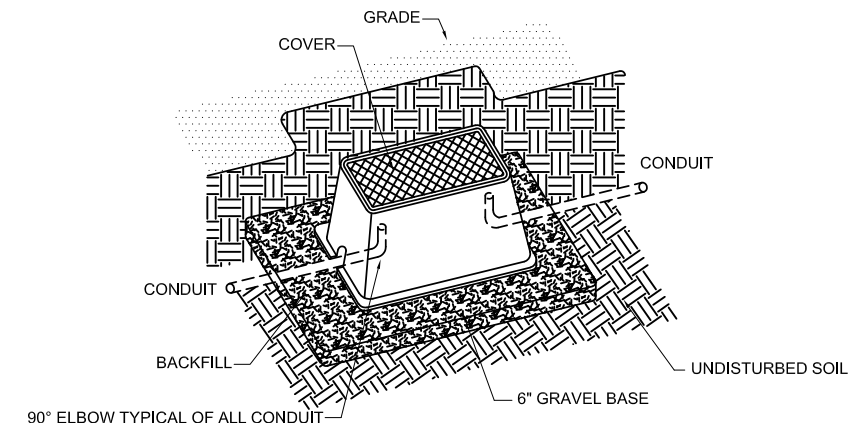


**YARD LIGHTING CONTROL**  
NOT TO SCALE



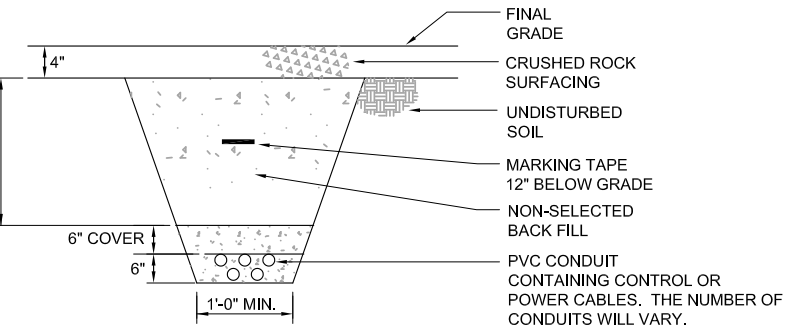
SPLICE BOX SHALL BE QUAZITE COMPOSITE BOX WITH OPEN BASE #PG11188A12 AND QUAZITE COMPSLITE HEAVY DUTY/TRAFFIC RATED COVER #PG1118HA00 OR APPROVED EQUAL.

**FLUSH IN-GRADE PULL BOX DETAIL**  
NO SCALE

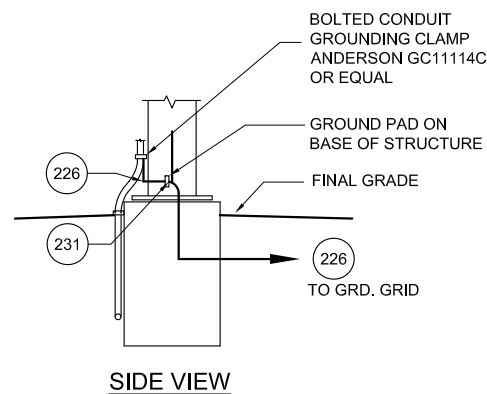


**PULL BOX DETAIL**  
NO SCALE

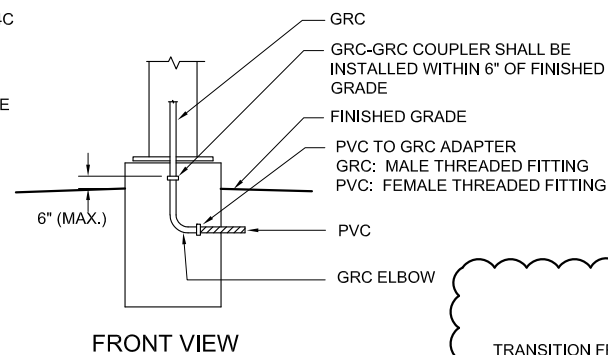
CONTROL CABLE 24"  
OR A MINIMUM 12" BENEATH OIL CONTAINMENT LINER  
POWER CABLE 38" MIN.  
6" FEEDER CONDUIT 48"



**CONDUIT BURIAL DETAIL (TYPICAL)**

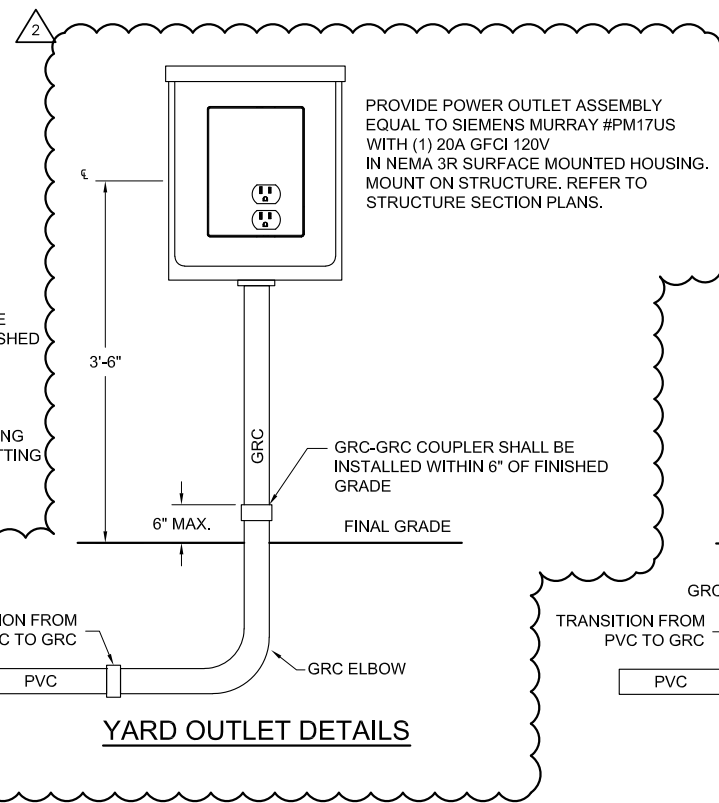


**SIDE VIEW**

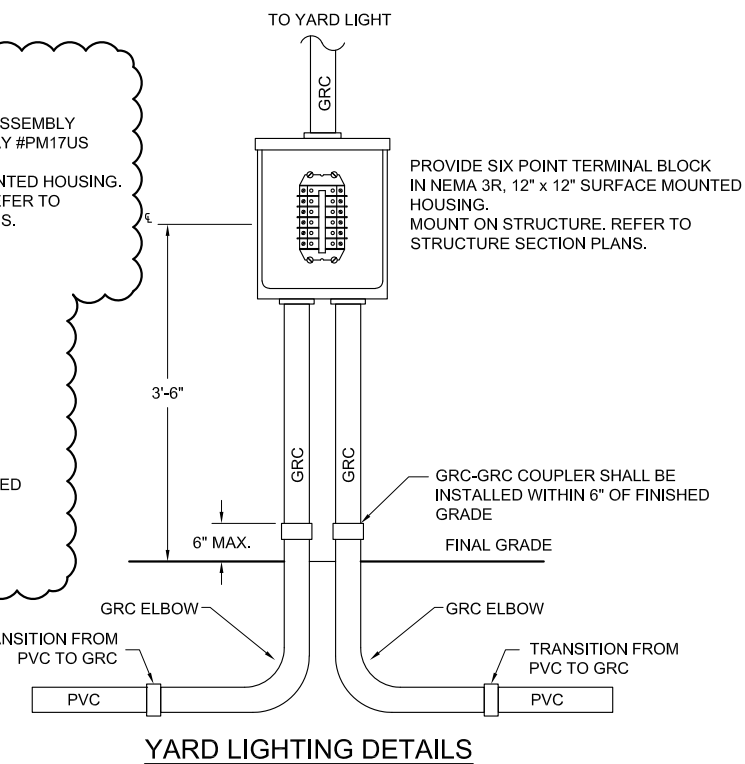


**FRONT VIEW**

**CONDUIT MOUNTING & GROUNDING DETAIL (TYPICAL)**



**YARD OUTLET DETAILS**



**YARD LIGHTING DETAILS**

**RELEASE FOR BID**  
Not For Construction  
16-Jul-20

CITY OF GLENWOOD SPRINGS  
GLENWOOD SPRINGS  
CARDNELL SUBSTATION  
CONDUIT DETAILS

No	Date	Drawn	Designed	Checked	Revisions
0	01/24/20	APG	JMB	DKD	ORIGINAL ISSUE
1	06/01/20	APG	DKD	JMB	RELEASE FOR BID
2	07/16/20	APG	CFT	JMB	RECEPTACLE DETAIL ADDITION
3					
4					
5					
6					
7					

APPROVED BY:

JMB

NONE



FORT COLLINS COLORADO  
(970) 224-9100 ESC@THINKESC.COM

**CN-E410**