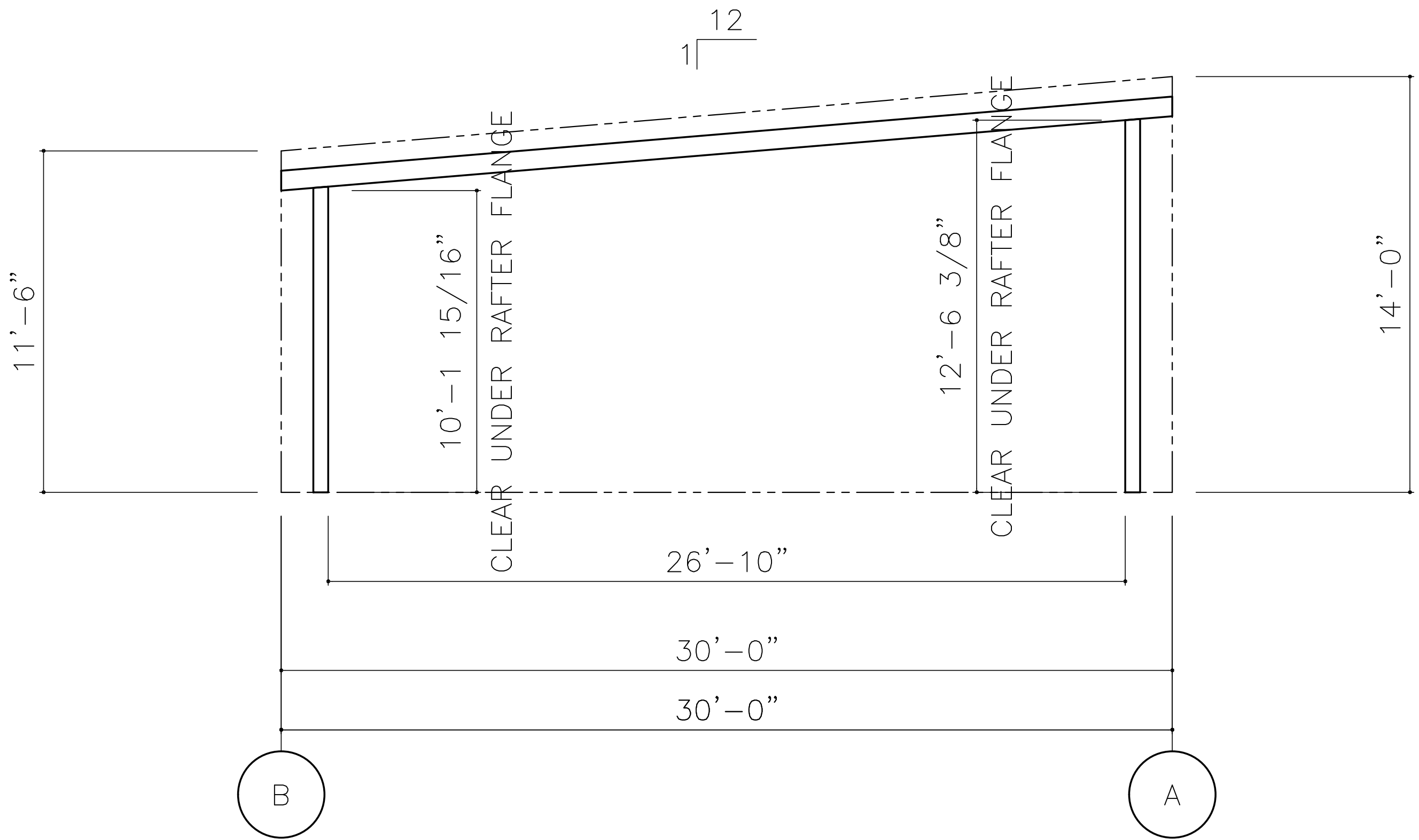
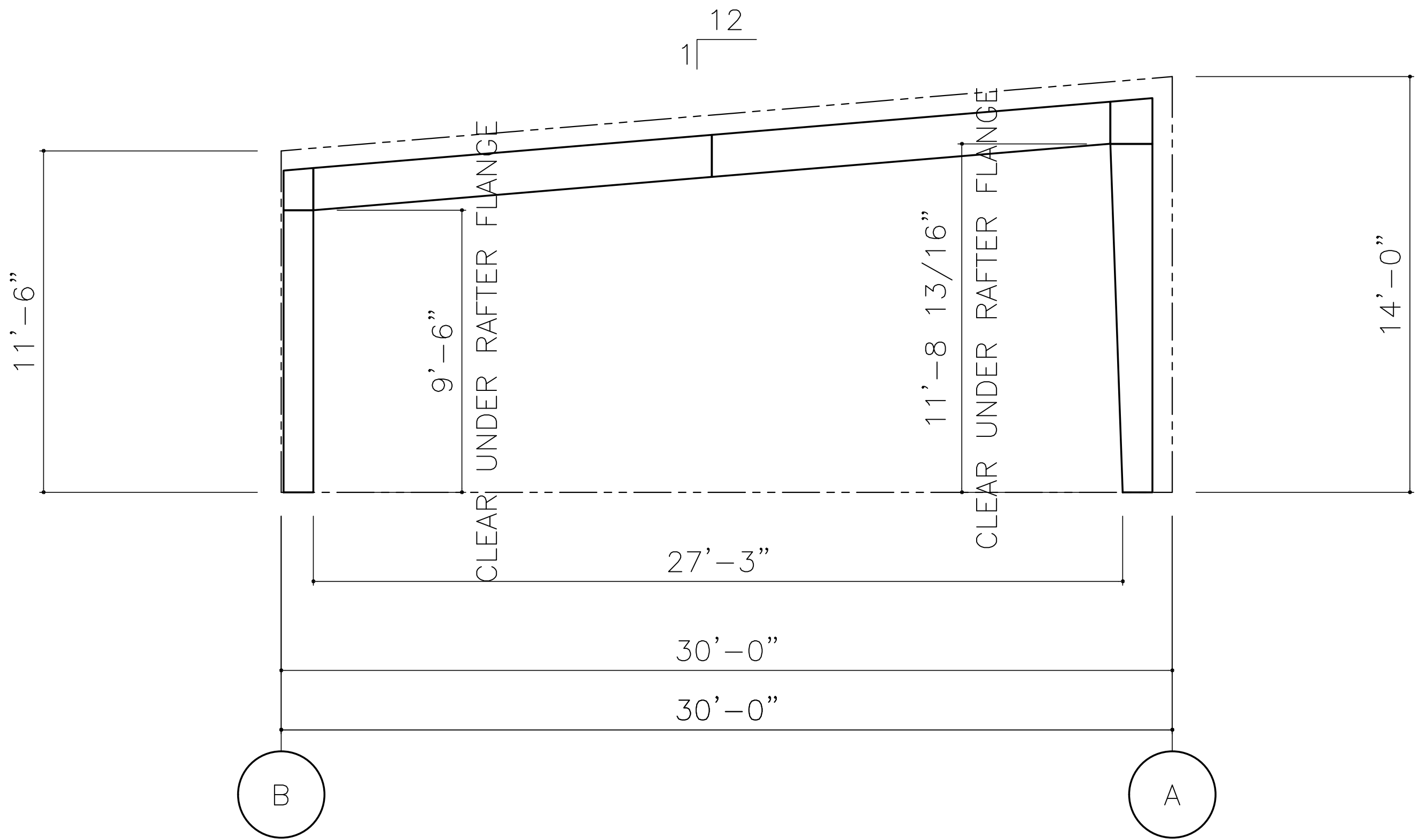


Finish floor elevation assumed to be 100'-0" unless noted otherwise.



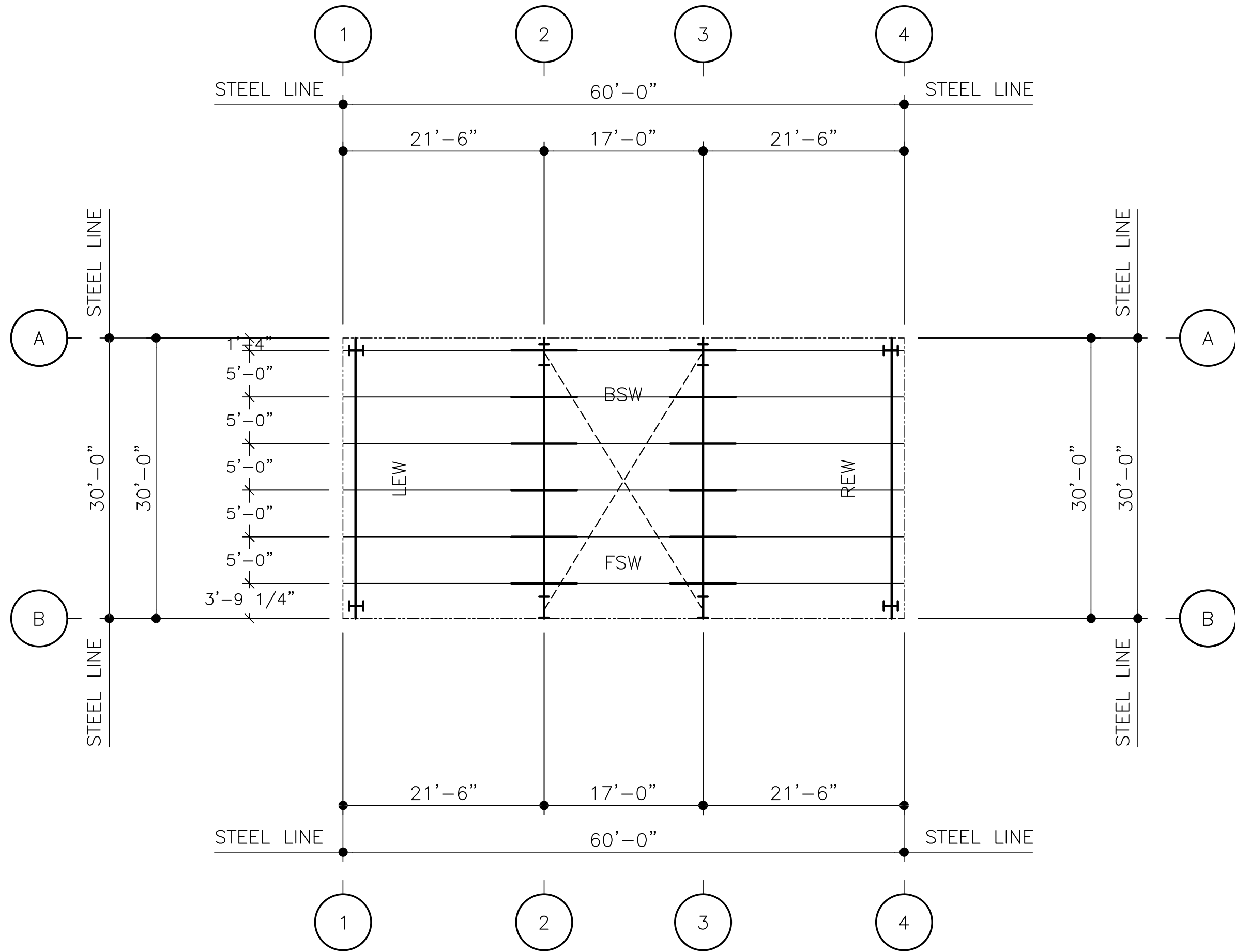
FRAME @ LINE(S) 1,4

*ALL CLEAR DIMENSIONS ARE SUBJECT TO CHANGE AT TIME OF FINAL DESIGN,
UNLESS NOTED OTHERWISE IN THE SPECIAL USER NOTES SECTION.



FRAME @ LINE(S) 2,3

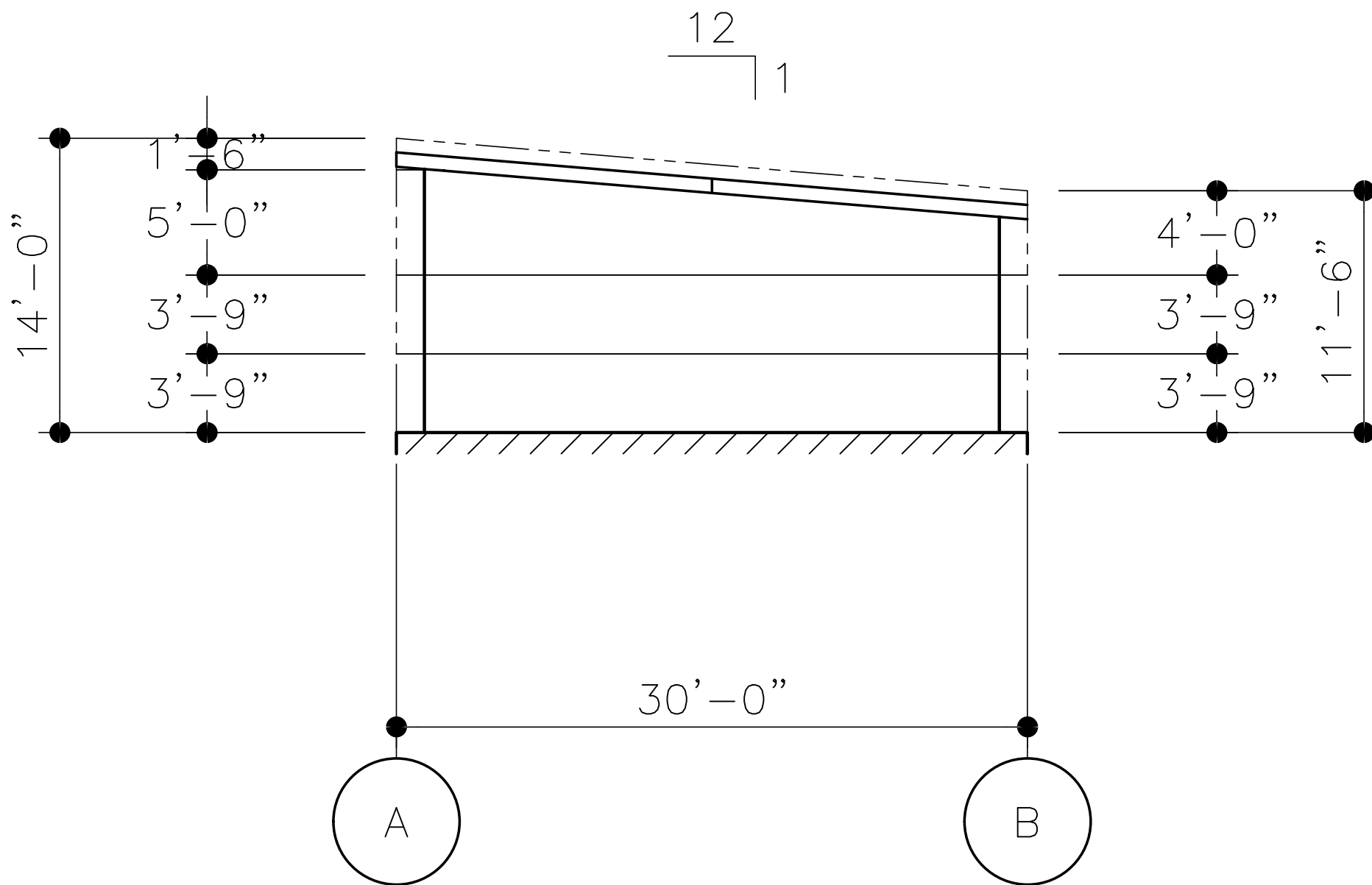
*ALL CLEAR DIMENSIONS ARE SUBJECT TO CHANGE AT TIME OF FINAL DESIGN, UNLESS NOTED OTHERWISE IN THE SPECIAL USER NOTES SECTION.



30X60X14 ROOF FRAMING PLAN

KEY PLAN

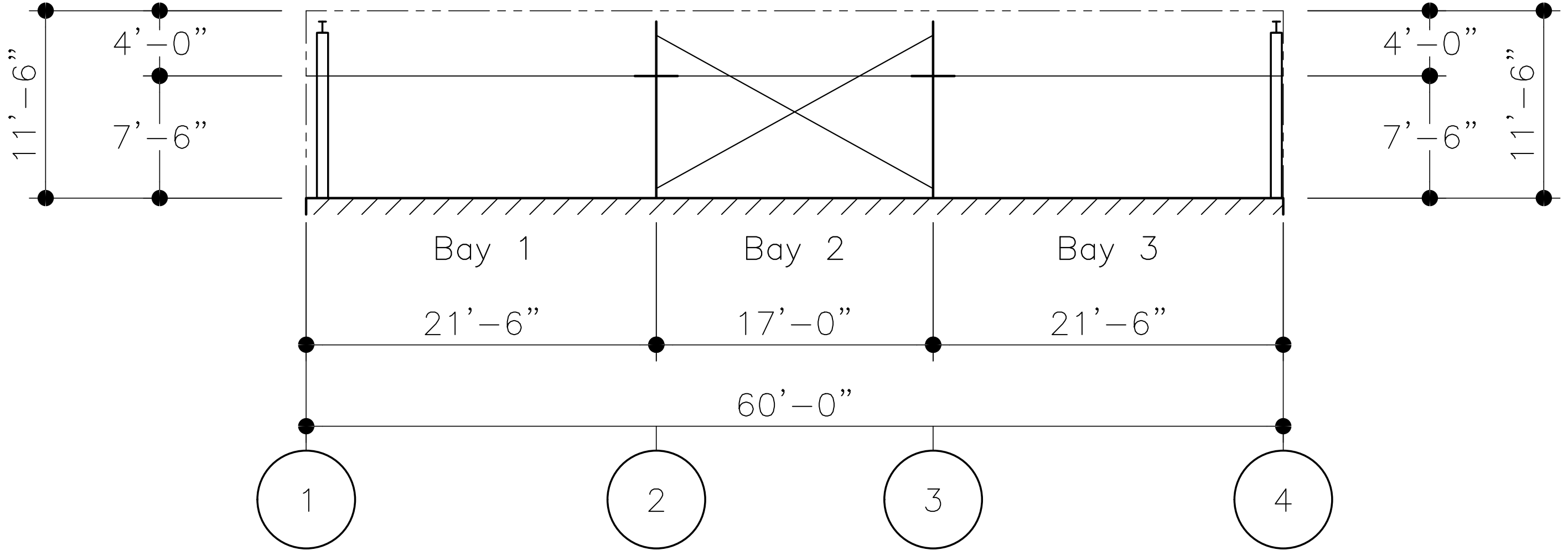
30X60X14



ELEVATION AT LINE 1

KEY PLAN

30X60X14



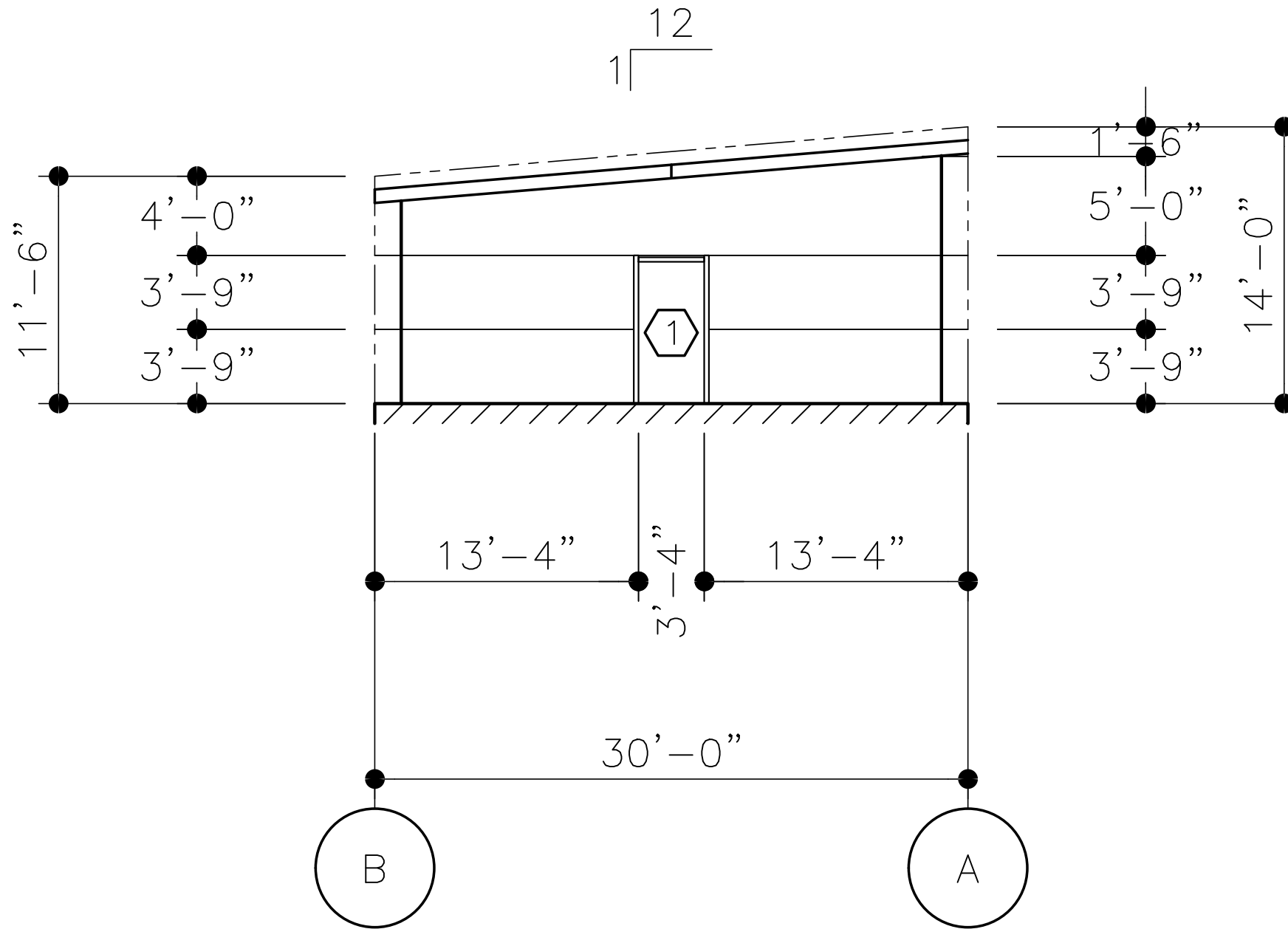
ELEVATION AT LINE B

KEY PLAN

30X60X14

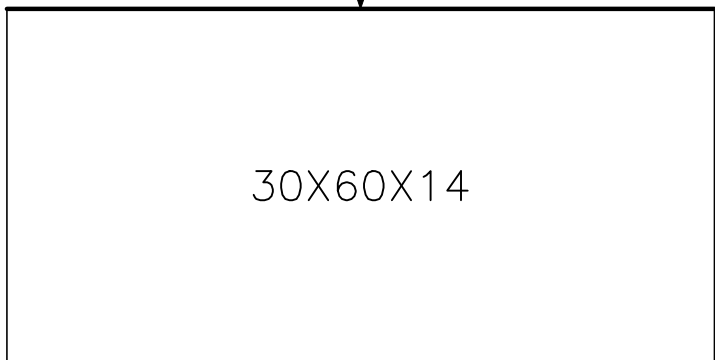
FRAMED OPENING SCHEDULE

ID	QTY	WIDTH	HEIGHT	SILL HEIGHT	LOCATED
1	1	3'-4"	7'-2"	0'-0"	FACTORY



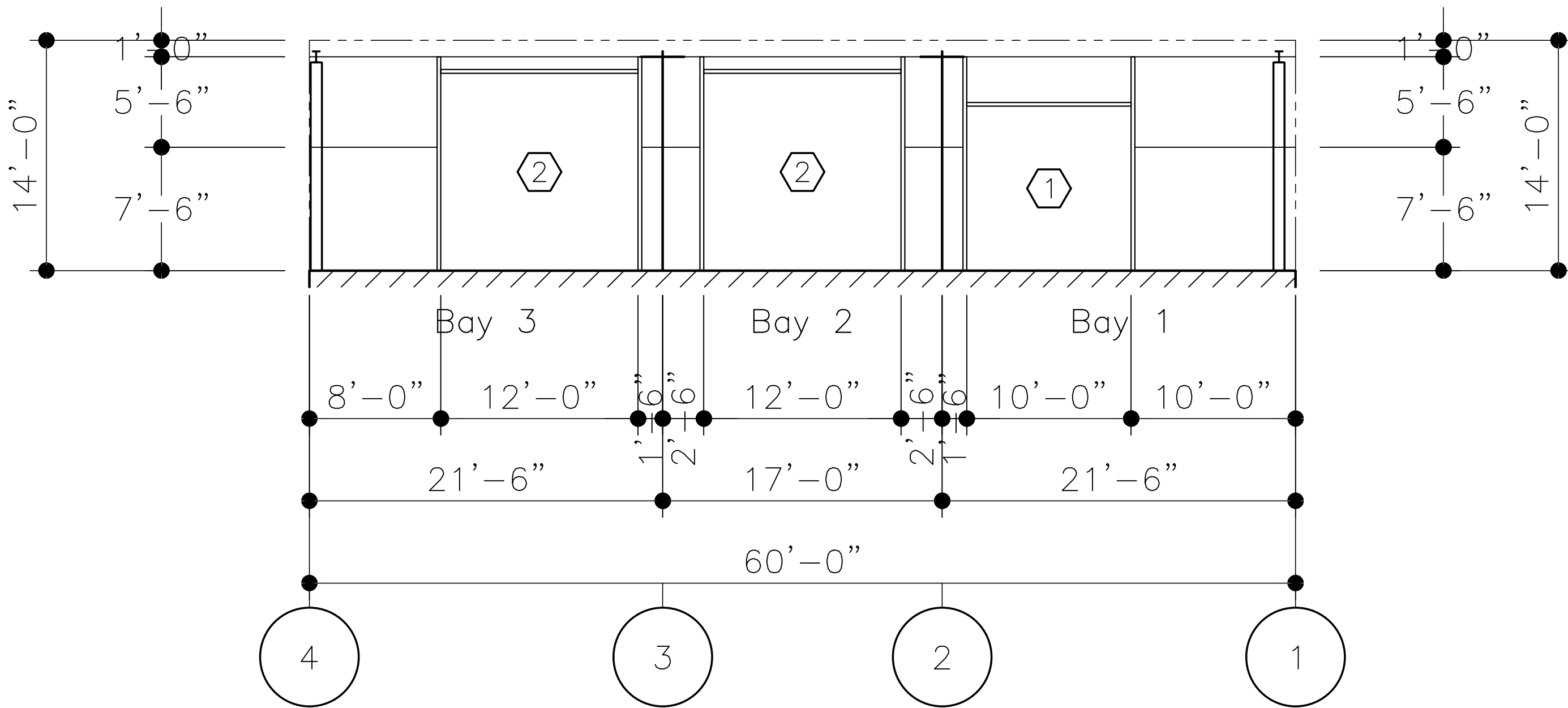
ELEVATION AT LINE 4

KEY PLAN



FRAMED OPENING SCHEDULE

ID	QTY	WIDTH	HEIGHT	SILL HEIGHT	LOCATED
1	1	10'-0"	10'-0"	0'-0"	FACTORY
2	2	12'-0"	12'-0"	0'-0"	FACTORY



ELEVATION AT LINE A